



**BOSCH**

Invented for life

## Woodman Frontier

### Vertical Form-Fill-Seal Bagmaker Best-in-Class Performance and Reliability



The Frontier is the updated design of the Compak II, one of the industry's leading economical bagmakers, now with networking and remote diagnostic capability for rapid support. The Frontier is designed to be simple to operate, maintain and configure, and sanitary for easy cleaning. The reliable and cost-effective Frontier features our newly-designed ergonomic former base, which diverts formers to one side for easier and safer changes. We used globally-available components and "off-the-shelf" electronics and servo motors for supreme reliability and lowered maintenance costs.

#### Easy operation with Insight® touchscreen HMI

The industry-leading Insight® color graphic touchscreen HMI is intuitive and features recipe-based programming that reduces operator error and ensures consistent performance regardless of shift or operator skill. Enhanced diagnostics are standard.

#### Optional Woodman product clamp and settler

Available snack food features include programmable product stripping and our exclusive product clamp and settler to virtually eliminate product-in-seal contamination and reduce bag waste.

#### Proven sealing system handles tough films

Our proven and reliable draw bar film advance positively handles the toughest films with confidence and highest seal integrity.

#### Maximum access open-design frame

Our welded tubular steel frame design is strong, compact and wide open for sanitation. The electrical cabinet swings away from the frame to allow total access to the machine interior from either side.

#### Modular maintenance with simple tools

We designed the Frontier from the ground up to ensure maximum uptime. All critical components can be swapped out in minutes with simple tools and quick-disconnect wiring for rapid recovery.

### Key Features

- ▶ Speeds up to 75 bpm
- ▶ Simple to operate and maintain
- ▶ Sanitary and easy to clean
- ▶ Simple to configure and change
- ▶ Proven film advance and sealing technology
- ▶ Globally-available components lower costs
- ▶ Remote diagnostic capability

## Packaging System Structure

Primary Packaging

Product Handling

Secondary Packaging

# Woodman Frontier Vertical Form-Fill-Seal Bagmaker

## Technical Specifications

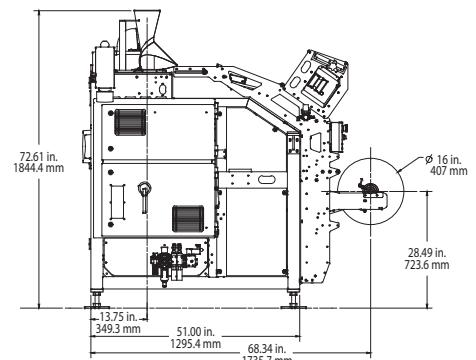
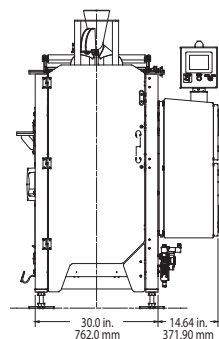
Performance		Bag Size Range	Minimum	Maximum
Production Speed	10 bpm up to 75 bpm	Width	63 mm ( 2.50")*	229 mm ( 9.00")
Operating Requirements		Length	76 mm ( 3.00")	381 mm ( 15.00")
Power Consumption	3 kVA	*54 mm ( 2.12"), available at extra charge		
Air ( 75 bpm )	43 liters/min ( 1.5 cfm )	Bag Appearance		
	5.2 bar ( 75 psi )	Bag Styles	Pillow Pouch, Gusseted	
Air at startup	708 liters/min ( 25 cfm )	Bag Seal Type	Lap Seal, Fin Seal	
Environment	10-38°C ( 50-100°F ) normal ambient	End Seal Features, Optional	Hole Punch, Notcher	
	< 90% non-condensing humidity	Film Roll Dimensions		
Construction		Film Core Inside Diameter	76 mm ( 3.00")	
Welded tubular powder-coated steel frame. Clear polycarbonate guards.		Max. Film Roll Outside Diameter	330 mm ( 13.00")	
Shipping Weight	800 kg ( 1750 lb )	Max. Film Roll Weight	22 kg ( 50 lb )	

## Standard Features

- ▶ Intermittent motion profile
- ▶ Proven servo-driven reciprocating carriage
- ▶ Yaskawa-based PLC control functions
- ▶ Programmable pneumatic product stripping
- ▶ Quick-change ergonomic former assembly
- ▶ Self-positioning seam seal bar
- ▶ Open-design tubular steel Flex-Mount frame
- ▶ Swing-away hinged electrical cabinet
- ▶ Motorized film tracking
- ▶ Electronic registration control
- ▶ Insight® color graphic touchscreen HMI
- ▶ Performance reporting, diagnostics and troubleshooting
- ▶ Automatic program setup
- ▶ Instant program changeover
- ▶ Full safety guarding and interlocks
- ▶ Ancillary device isolated interface strip
- ▶ 230-volt convenience outlet and data port

## Optional Features

- ▶ Product clamp and settler (snack food feature)
- ▶ Simple gusset tuckers
- ▶ Product poker
- ▶ Hole-punch jaws
- ▶ Notcher
- ▶ Quick-change jaws
- ▶ Programmed nitrogen flush
- ▶ Woodman Codeline TTO printer
- ▶ Perforated bag strip
- ▶ Special end-seal configurations
- ▶ MGuard remote diagnostics and connectivity
- ▶ Expanded ethernet connectivity
- ▶ Other custom requirements



Bosch Packaging Technology

[boschpackaging.com](http://boschpackaging.com)

**Kliklok International** Western Drive, Hengrove Park Estate,  
Bristol, BS14 0AY UK +44 1275 836131 [kliklok-int.com](http://kliklok-int.com)

**Kliklok-Woodman** 5224 Snapfinger Woods Drive, Decatur, GA 30035  
USA +1 770-981-5200 [kliklokwoodman.com](http://kliklokwoodman.com)